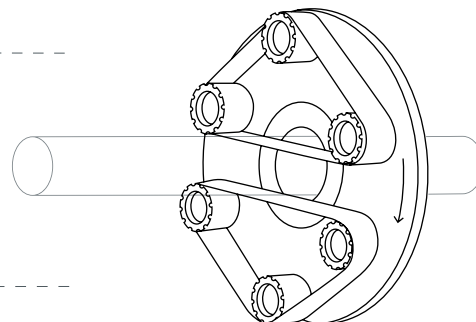


ML75

/ ROUND TUBE FINISHING MACHINE



DEMONSTRATION VIDEO



MINIMUM BEND CHART



STANDARD EQUIPMENT

Blocking system for wheel rotation

Pedal for belts opening and wheel unblocking

Variable speed for abrasive belts

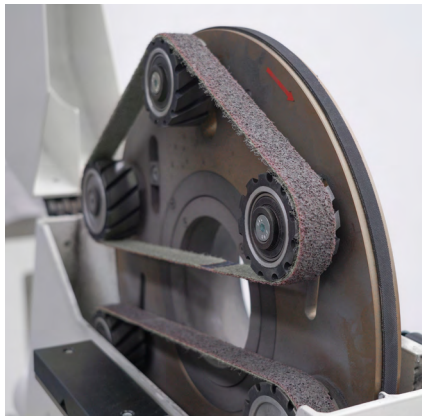
AVAILABLE ACCESSORIES

Automatic feeding system (4+4 rollers with variable speed)

Dust extractor

TECHNICAL SPECIFICATIONS

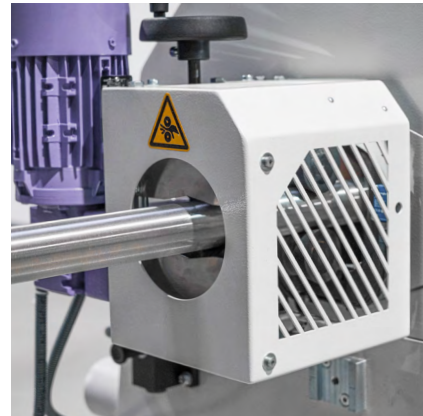
diameter capacity (Ø mm)	10-76
feeding speed (m/min.)	manual or 1-5
abrasive belt speed (m/s)	10-25
abrasive belt dimensions (mm)	25x860 (x2)
abrasive belt motor (kW)	2.2
wheel motor (kW)	1.5
consumption (A)	12
dimensions (mm)	660x1000x1320
weight (kg)	230



slim and compact planetary wheel with 2 abrasive belts



finishing curved tubes with tight radii



finishing straight tubes with automatic feeding