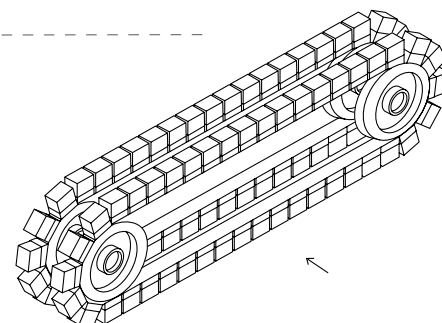
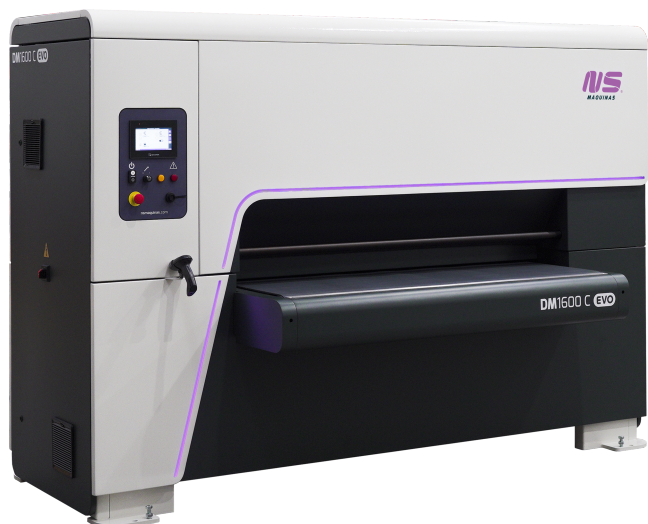


DM1600 C EVO

/ EDGE ROUNDING MACHINE



DEMONSTRATION VIDEO



OVERVIEW

__ Two cross belts mounted with abrasive blocks run in opposite directions, completing edge rounding on the complete area of the part

__ DM1600 C can edge round parts with plastic foil, keeping the original finishing and assuring the work purely on the edges

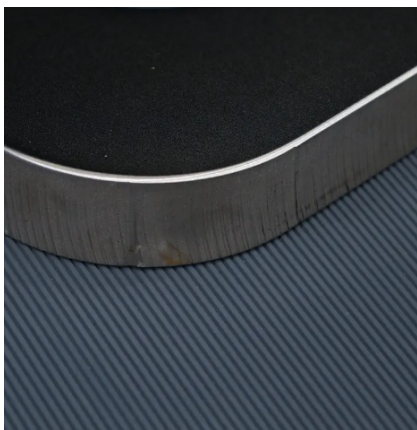
AVAILABLE ACCESSORIES

__ Parts return system improves productivity on small parts or double sided operation (option)

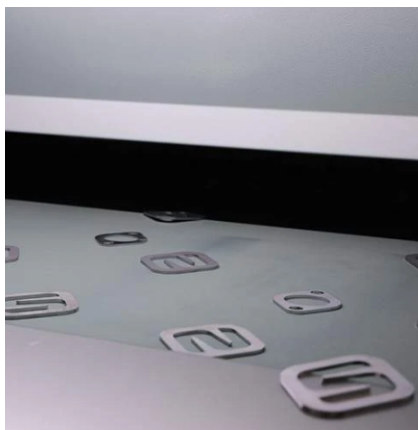
__ Dust extractor

TECHNICAL SPECIFICATIONS

working capacity (mm)	1600X50
feeding speed (m/min.)	0.5-3
crossbelt speed (m/s)	2-8
crossbelt motor (kW)	4 (2x)
total power (kW)	8.7
consumption (A)	19
dimensions (mm)	2840x1710x2000
weight (kg)	2075



__ high performance on all edges and also on internal holes.



__ excellent work on small parts down to 50x50mm



__ optimized for large workpieces up to 1600mm wide