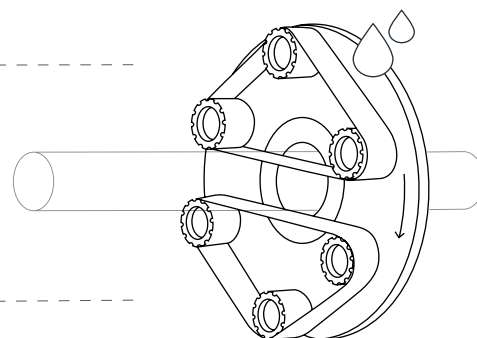


MLW200 TC

/ ROUND TUBE WET FINISHING MACHINE



DEMONSTRATION VIDEO



MINIMUM BEND CHART



STANDARD EQUIPMENT

- Blocking system for wheel rotation
- Foot pedal for belts opening and wheel unblocking
- Manual filtration system

AVAILABLE ACCESSORIES

- Touchscreen control on independent unit with program storage
- Automatic feeding system
- Photocells for automatic belts opening
- Automatic filtration system

TECHNICAL SPECIFICATIONS

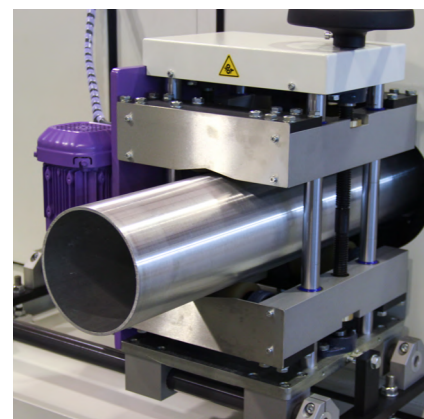
diameter capacity (Ø mm)	25-205
feeding speed (m/min.)	1-4
abrasive belt speed (m/s)	8-27
abrasive belt dimensions (mm)	70x1240 (2x)
abrasive belt motor (kW)	11
wheel motor (kW)	5.5
consumption (A)	37
dimensions (mm)	2200x2500x1600
weight (kg)	1660



optimized for large diameters and long tubes with minimal vibration



touchscreen on mobile, independent unit (optional)



possibility to save programs and define specific areas to be finished